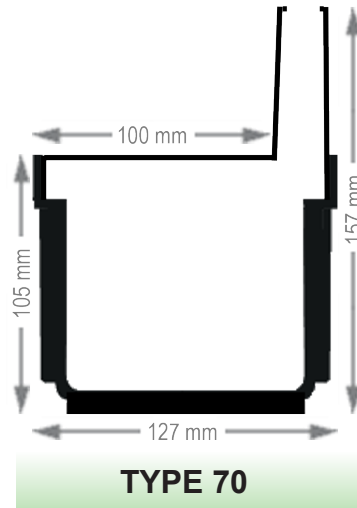
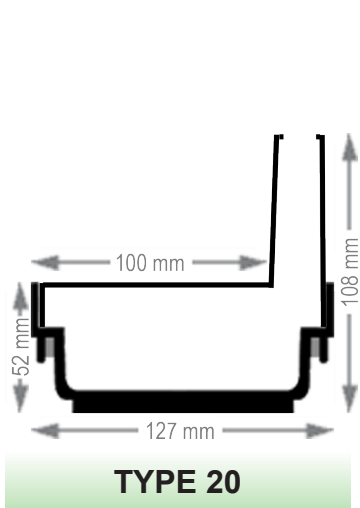


INHOUD

In het onderstaande overzicht kunt u de inhoud van uw set controleren.



2 Selecteer de lengte van uw set en kijk in deze kolom voor de juiste aantallen.

1 Selecteer het type.

| TYPE 20 | Illustratie | Omschrijving | Maat | 2.00 m | 3.00 m | 4.00 m | 5.00 m | 6.00 m | 7.00 m | 8.00 m | 9.00 m | 10.00 m | 11.00 m | 12.00 m | 1.00 m |
|---------|---------------|--------------|------|--------|-----------|--------|--------|--------|--------|--------|--------|---------|---------|---------|--------|
| | | | | | Sleufgoot | 1.00 m | 2 | 3 | 4 | 5 | 6 | 7 | 8 | 9 | 10 |
| | Eindstukken | | 2 | 2 | 2 | 2 | 2 | 2 | 2 | 2 | 2 | 2 | 2 | 2 | - |
| | Bodem-uitloop | Ø 110 mm | 1 | 1 | 1 | 1 | 1 | 1 | 1 | 2 | 2 | 2 | 2 | - | |
| | Zij-uitloop | Ø 75 mm | 1 | 1 | 1 | 1 | 1 | 1 | 1 | 2 | 2 | 2 | 2 | - | |

| TYPE 70 | Illustratie | Omschrijving | Maat | 2.00 m | 3.00 m | 4.00 m | 5.00 m | 6.00 m | 7.00 m | 8.00 m | 9.00 m | 10.00 m | 11.00 m | 12.00 m | 1.00 m |
|---------|---------------|--------------|------|--------|-----------|--------|--------|--------|--------|--------|--------|---------|---------|---------|--------|
| | | | | | Sleufgoot | 1.00 m | 2 | 3 | 4 | 5 | 6 | 7 | 8 | 9 | 10 |
| | Eindstukken | | 2 | 2 | 2 | 2 | 2 | 2 | 2 | 2 | 2 | 2 | 2 | - | |
| | Bodem-uitloop | Ø 110 mm | 1 | 1 | 1 | 1 | 1 | 1 | 1 | 2 | 2 | 2 | 2 | - | |
| | Zij-uitloop | Ø 110 mm | 1 | 1 | 1 | 1 | 1 | 1 | 1 | 2 | 2 | 2 | 2 | - | |